

service manual / R13-interface-board / adjustment of trimpots

this manual is to show how the adjustment has to proceed.

the trim-pots are for voltage adjustment. the volume-sliders of the guitar should control a precise range of 0..5 volts. however, due to mechanically limited travel, they do not act over the full resistance rail. therefore the end-positions have to be set to 5 volts respectively 0 volts (max. volume / min. volume)

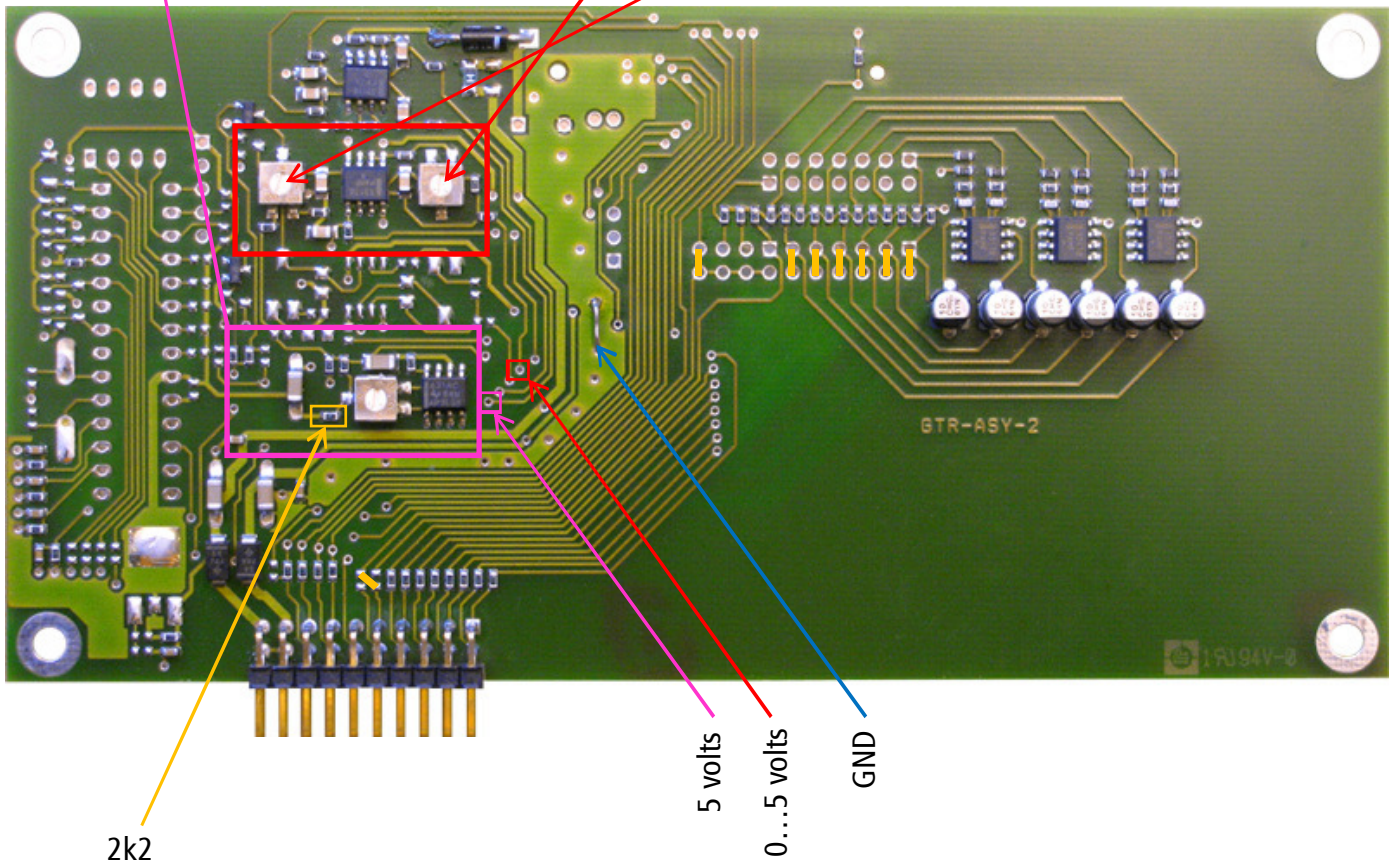
required equipment: multimeter, power supply +/- 7 volts (or a roland guitarsynth device), small screwdriver

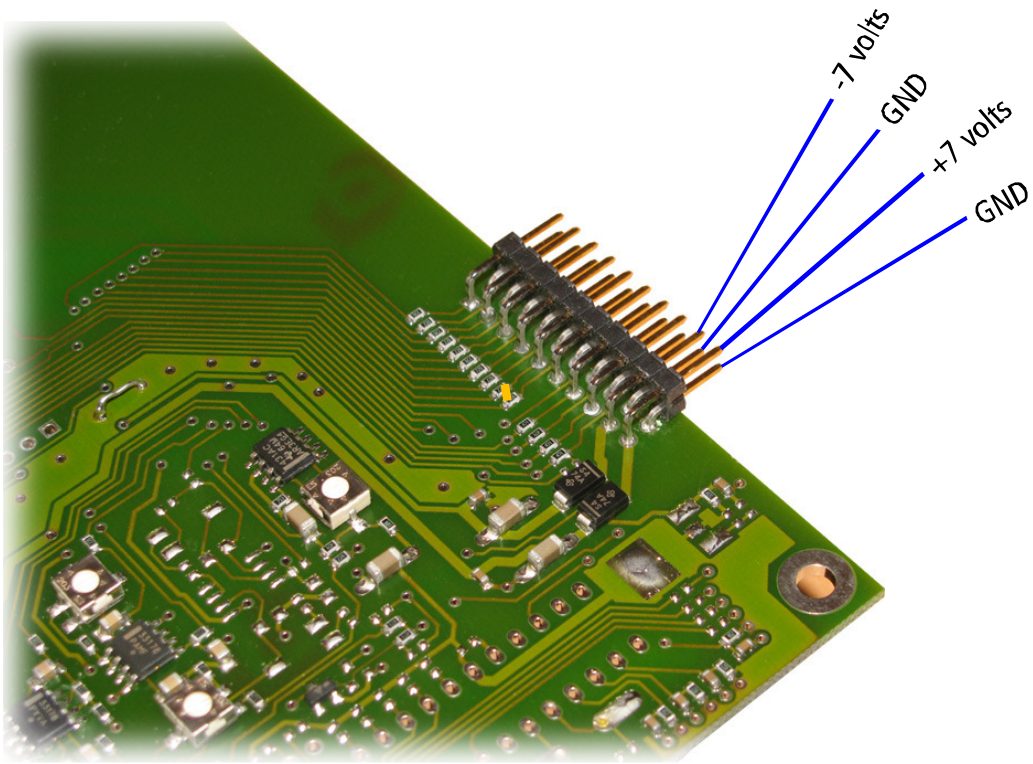
step A
 setting 5 volts on master-vol slider
 (long travel, stop end-position):
 place probe **here** and GND,
 adjust **trimpot** to 5 volts

step B
 setting 5 volts on synth-vol slider
 (short travel, stop end-position):
 place probe **here** and GND,
 adjust **trimpot** to 5 volts

step C
 setting 0 volts on synth-vol slider
 (short travel, start-position, min):
 place probe **here** and GND,
 adjust **trimpot** to 0 volts

step D
 repeat step B and C several times
 until precise 0...5 volts





20-pin connector	13-pin connector	function	connected
1		polybass	
2	6	string E6	
3	5	string A5	
4	4	string D4	
5	3	string G3	
6	2	string B2	
7	1	string E1	
8		aux1	
9	7	mono-mix	
10	9	multi-purpose	
11		vol-control	
12		master-slider	
13		switch m-p	
14		switch m-p	
15	10	switch 1	
16	11	switch 2	
17	13	-7 volts	
18	housing	GND	
19	12	+ 7 volts	
20	housing	GND	